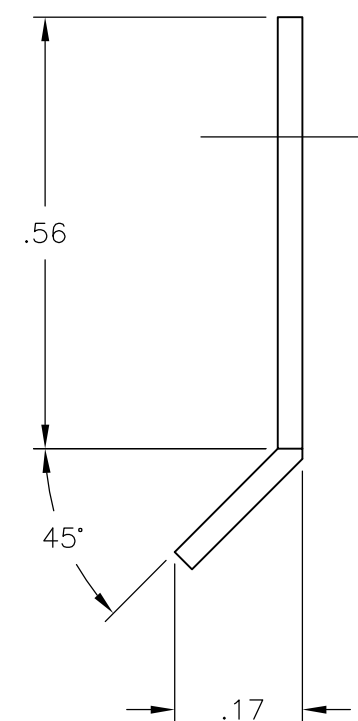
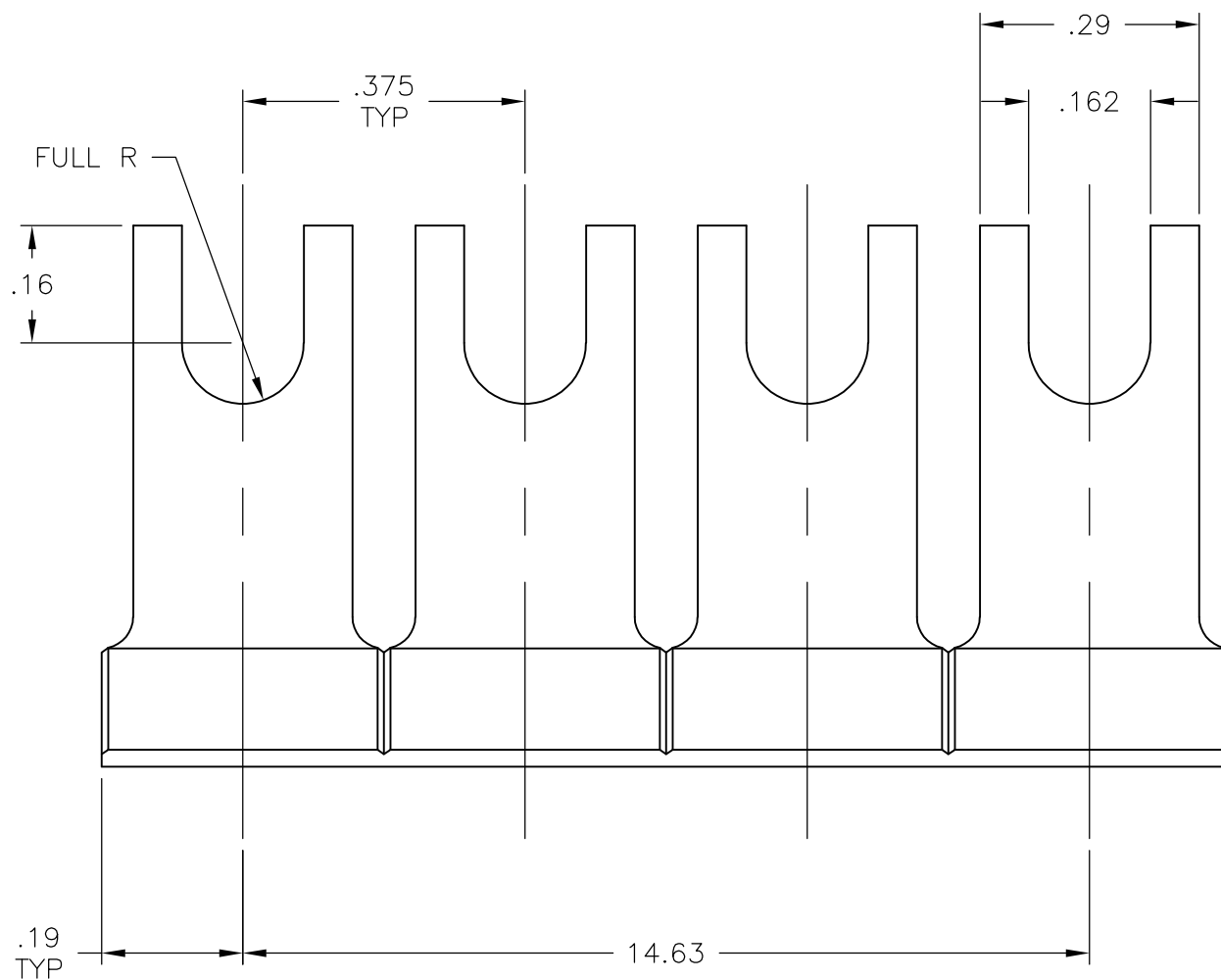


THIS DRAWING IS UNPUBLISHED. RELEASED FOR PUBLICATION
 © COPYRIGHT - BY TYCO ELECTRONICS CORPORATION. ALL RIGHTS RESERVED.

LOC	DIST	REVISIONS			
P	LTR	DESCRIPTION	DATE	DWN	APVD
FT	0	A -	11/20/07	SS	SRY

NOTES:

- ① MATERIAL: .032 THK BRASS, 1/2 HARD.
- ② FINISH: .0002 MIN THK BRIGHT TIN OVER .0001 MIN THK COPPER.
- 3. PART CONTAINS 40 BREAK-AWAY POSITIONS.



J6140	5-1437418-4
CATALOG NO.	PART NUMBER

THIS DRAWING IS A CONTROLLED DOCUMENT.		DWN S SCHLEGEL 11/20/07	Tyco Electronics Corporation Harrisburg, PA 17105-3608	
DIMENSIONS: INCHES	TOLERANCES UNLESS OTHERWISE SPECIFIED:	CHK C WARNER 11/20/07	NAME 3/8 AROUND BARRIER SPADE TYPE JUMPER	
	0 PLC ± -	APVD C WARNER 11/20/07	PRODUCT SPEC	
	1 PLC ± -	PRODUCT SPEC	-	
	2 PLC ± .01	APPLICATION SPEC	-	
	3 PLC ± .005	RESTRICTED TO	SIZE A3	CAGE CODE 00779
	4 PLC ± -		DRAWING NO G-5-1437418-4	
	ANGLES ± 1°		RESTRICTED TO	
MATERIAL -	FINISH -	WEIGHT -	CUSTOMER DRAWING	
①	②	SCALE 4:1		SHEET 1 OF 1
		REV A		